



# MODERN

## MM-430

# Mini Machining Center

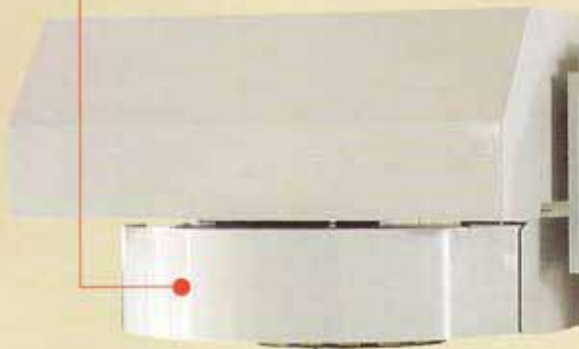


# Extremely High



- Table guard or Full enclosure guarding on request.

- 16 tools carousel type ATC (opt.)

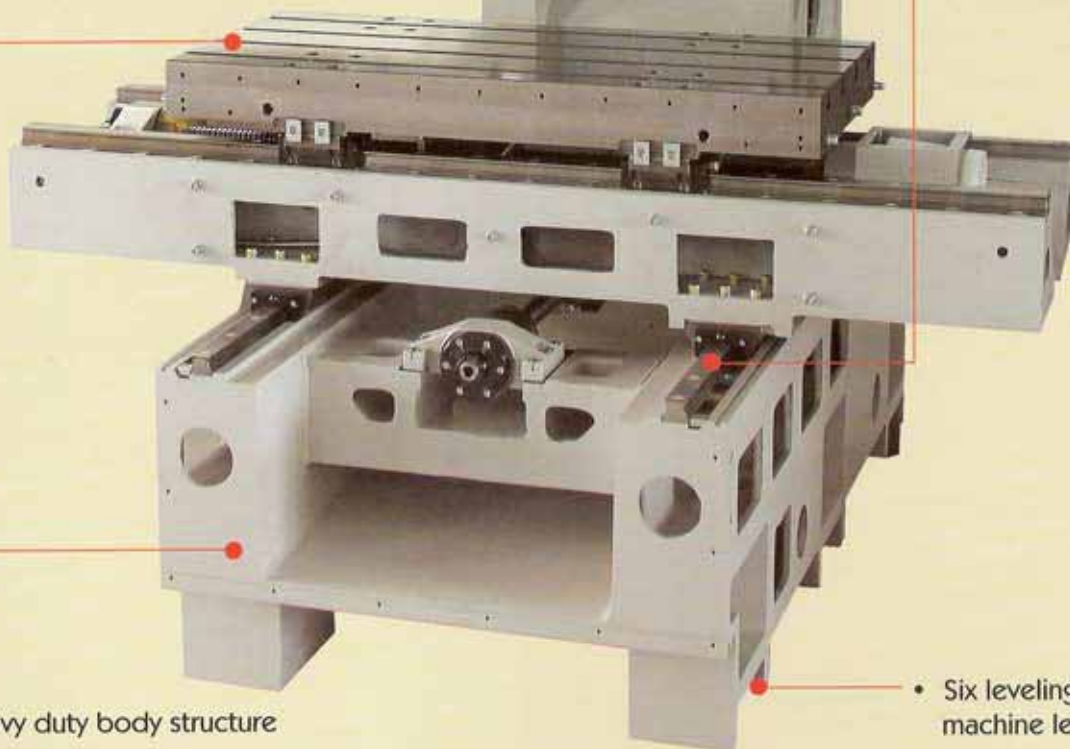


- Meehanite casting bodies

- ISO40 spindle, 8000rpm spindle speed

- Linear way gives high rapid speed 24M

- 900 x 410mm Large fully ground work table with 4 T-slot



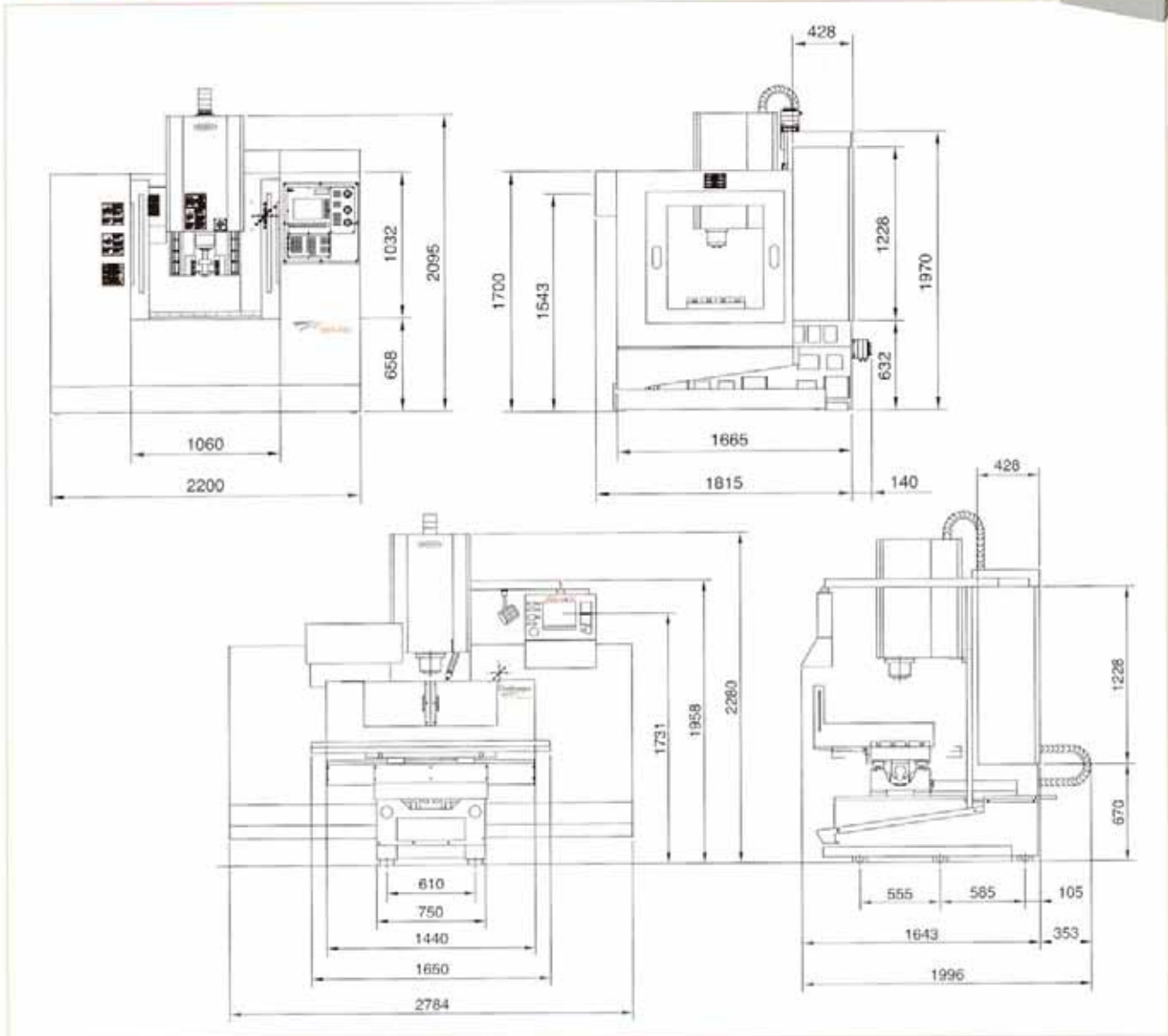
- Heavy duty body structure

- Six leveling bolts for stable machine level

# Value VMC



## DIMENSIONS



## AVAILABLE CONTROLLER

## BUILT TO CE SPECIFICATION



• Fagor 8055iA



• Milltronics Centurion 7



- CE regulated
- CE Listed components

## SPECIFICATIONS

Model	Unit	MM-430
<b>Table</b>		
Table size	mm	900 x 410
Distance between table & floor	mm	820
Table loading capacity	kg	350
Table configuration	mm	16mm x 4 x 100mm
<b>Travel</b>		
X axis	mm	760
Y axis	mm	430
Z axis	mm	400 (std.) / 460 (opt.)
<b>Spindle</b>		
Taper	ISO	40
Spindle bearing inside diameter	mm	60
Spindle speed	rpm	8000
Spindle center to linear guide way	mm	480
Spindle nose to table top	mm	102 - 562
<b>Ballscrew</b>		
X axis	mm	Dia. 32 x P8
Y axis	mm	Dia. 32 x P8
Z axis	mm	Dia. 32 x P8
Linear way (ball) - X/Y/Z axes	mm	35
<b>Motor</b>		
Spindle	KW	5.5/7.5
X axis	Nm	2.84
Y axis	Nm	2.84
Z axis	Nm	8.34
Coolant pump	HP	1/4
<b>ATC (opt.)</b>		
Pocket		16
Tool taper		BT#40 / CAT#40 / DIN69871
Max. tool weight	kg	5.4
Max. tool diameter	mm	89
<b>Performance</b>		
Rapid traverse	M/min	24
Positioning accuracy	mm	+/- 0.005
Repeatability	mm	+/- 0.005

\* Design and specification subject to change without notice

### Standard accessories:

- CNC Controller
- Spindle & servo motor package
- ISO40 spindle taper
- 8000rpm spindle speed
- One each piece cast iron base & column
- Rear splash guard & chip tray
- Easy setup and operation
- Coordinate rotation, Scaling, Mirror Image

### Optional accessories:

- 16 Tools carousel type ATC
- Table guard or Full enclosure guard
- 210L coolant tank for full enclosure guard machine
- Work light
- 460mm Z axis travel
- Rigid tapping



# MODERN TOOL LTD.

Calgary, Alberta, 11488 - 70 Street, S.E. T2C 4Y3 (403) 236-1150 (fax) 236-4277  
 Edmonton, Alberta, 4820 Elaniak Road T6B 2S1 (780) 465-9471 (fax) 465-6951  
 Port Coquitlam, B.C., 1385 Kingsway Ave. V3C 1S2 (604) 472-1444 (fax) 472-1455